



The Industry Standard in Digital Wheel Load Weighing

PT300™ scales have been setting the bar for portable, self-contained, compact wheel load scales for decades. Used to maximize legal payloads with concern for violations and reduction of maintenance due to overload stress on equipment, these all aluminum, fully electronic scales are capable of weighing up to 40,000lbs (18,000kgs) with an accuracy of $\pm 1\%$.

Progressive advancements in weighing technology have opened the doors to improving on this time-tested industry standard. Today, PT300™ scales are built with fully integrated RFX™ Wireless Weighing Technology providing the ability for scale data to be received, recorded, and observed on a variety of indicators; as well as control scale functions remotely.

In addition, battery life has been significantly enhanced with the use of solar panels that will power the scales for up to a year before needing direct power charging with daytime outdoor use.

PT300™ Wheel Load Scales



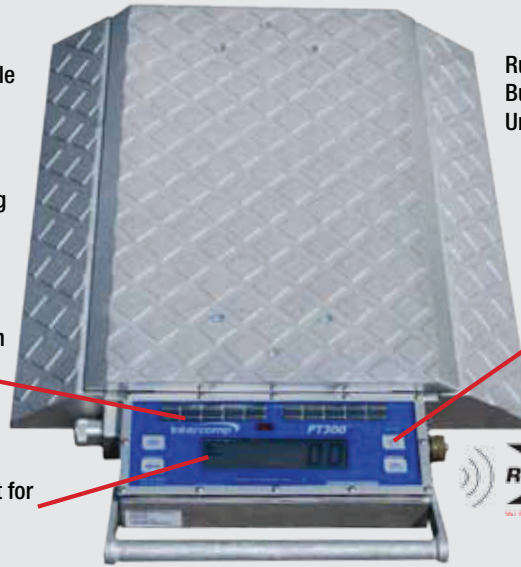
NTEP Certified Models Available

Accuracy of $\pm 1\%$ of Reading



Solar Boost Provides up to One Year of Battery Life with Daytime, Outdoor Use

Large LCD Display with Backlight for Easy Readings from Scales



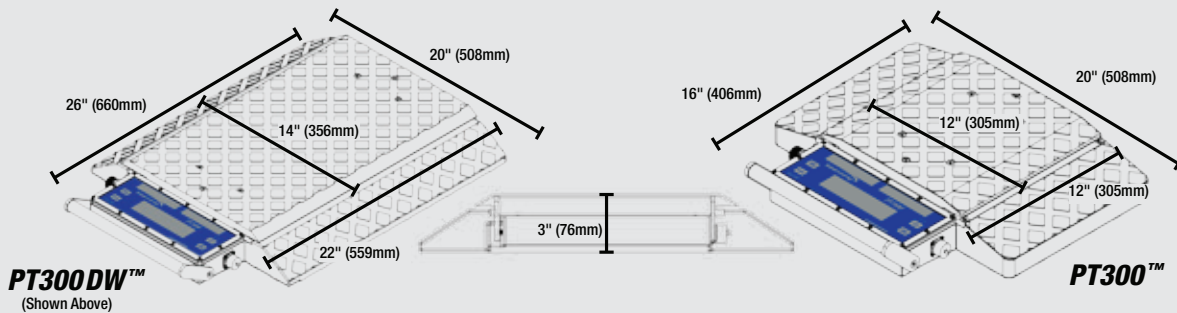
Rugged, Lightweight Aluminum Construction Built to Withstand Heavy Use; Ideal for Unimproved Surfaces

Available in Capacities to 40,000lbs (20,000kgs)

Integrated Indicator with Comprehensive Push Button Controls Include: On/Off, Local/Total, Zero & Print/Accum



RFX™ Wireless Weighing Technology Provides Cable-Free Communication with a Variety of Indicators, Apps & Software



Compatible with These Intercomp Devices



Wireless Handheld Weighing Indicator

Easily process weight related data to monitor and control loads in a compact, handheld device.



PT20™ CPU

Enclosed in a rugged, weather-resistant case, this portable weight management CPU features wireless communication and integrated printer; ideal for remote use.



IntercompWeigh™ Software

Manage any weighing process, view scale data, customize layouts and generate reports in one, easy-to-use program.

(PC Not Included)



iVehicleWeigh™ Scale App

Input weight data into an iPhone®, iPod® or iPad® to save and email information easily and conveniently.

Available for download **FREE** from iTunes®.



S400™ Display & Wireless Printer

Offers wireless communication with scales through the RFX™ Data Converter.